

# STAR LEAGUE™ BASEBALL

OFFICIAL SOUVENIR  
PROGRAM



WE BRING SPORTS ALIVE.



# **STAR LEAGUE™ BASEBALL**

CREATED BY

**DAN UGRIN**

**SCOTT ORR**

**BRUCE MITCHELL**

SPECIAL THANKS TO

**DAVID CHAN**

**&**

**HUMM**

---

# WELCOME TO GAMESTAR STADIUM

---

Congratulations. You're in the middle of a tight pennant race and momentum is on your side. But everyone's out to beat you, especially the hard-hitting computer team.

So if you want to win the pennant, please read this official program. With the right combination of pitching, hitting and strategy, you may even become a Star Leaguer! Have fun.

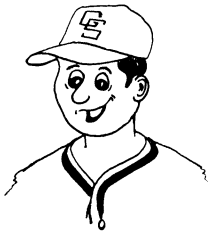
## THE SCOUTING REPORT

You get to choose your starting pitcher in Star League™ Baseball, as well as bring in a reliever. Here's the latest scouting report:



**"HEAT" MULDOON**

Overwhelming fast ball.  
Good screwball and slider.  
Tendency to miss the strike zone  
when he goes for the corners.  
Tires quickly if fast ball used too  
often.



**“CURVES” CASSIDY**

Great curve ball and incredible  
sinker.  
Excellent control and good stamina.  
Clearly the most balanced pitcher in  
the league.



**“KNUCKLES” FLANAGAN**

“Liveliest” knuckleball this side of  
the Rockies.  
Good control and stamina.  
Only used for short-term relief work.

## **LOADING THE GAME CASSETTE**

1. Make sure that the computer is **OFF**, all cartridge slots are **EMPTY**, and the 410™ Program Recorder is properly connected.
2. Place the game tape into the 410™ Recorder, close the door and rewind to the beginning.
3. Turn the computer's power switch **ON** while holding down the **START** key on the computer console. You will hear a “beep.”

4. Press **PLAY** on the 410™ Recorder, then press the **RETURN** key on the computer console. The game will load in a few minutes.

## **DISKETTE**

1. Make sure that the computer is **OFF**, all cartridge slots are **EMPTY**, and the 810™ Disk Drive is properly connected.
2. Turn the Disk Drive's power switch **ON**. When the busy light goes out, insert the game diskette into the Disk Drive and close the door.
3. Turn the computer's power switch **ON**. The game will load automatically.

If you have trouble loading the game, please refer to your 410™ or 810™ owner's manual for details.

---

# PRE-GAME CEREMONIES

---

<b>OPTION</b>	<b>GAME</b>
<b>SELECT</b>	<b>1 PLAYER</b>
<b>START</b>	<b>NEXT MENU</b>

1. Press the **OPTION** key on the computer console to choose between playing a **GAME** or taking **BATTING PRACTICE**.
2. Press the **SELECT** key to select between a **1 PLAYER** or **2 PLAYER** game.
3. Press the **START** key to go to the **NEXT MENU** or **PLAY BALL** when you choose the **BATTING PRACTICE** option. If you take **BATTING PRACTICE**, you will face "Heat" Muldoon in a series of random pitches until you press the **OPTION** and **SELECT** keys simultaneously.
4. Plug a joystick controller firmly into jack 1 on the front of the computer console if you are playing solo. Plug a second joystick into jack 2 if two are playing. Hold the controller with the red button in the upper left corner, towards the TV screen.
5. To break out of a game, press the **OPTION** and **SELECT** keys simultaneously any time the **PLAYFIELD** screen is up. Do **NOT** press **SYSTEM RESET**.

6. If you choose to play a GAME, a new menu will come up when you press **START**:

**OPTION**  
**SELECT**  
**START**

**HOME**  
**VSTR**  
**PLAY BALL**

**CURVES-LINERS**  
**HEAT-SLUGGERS**

7. The HOME team uses the **OPTION** key to select its starting team and pitcher. The LINERS hit for average; the SLUGGERS hit for the fences.
8. The VISITOR team uses the **SELECT** key to select its starting team and pitcher.
9. Both teams can have the same combinations if you choose. When playing solo against the computer, the scoreboard and menus will read COMP in place of HOME.
10. When both teams have made their selections, press the **START** key to PLAY BALL!



---

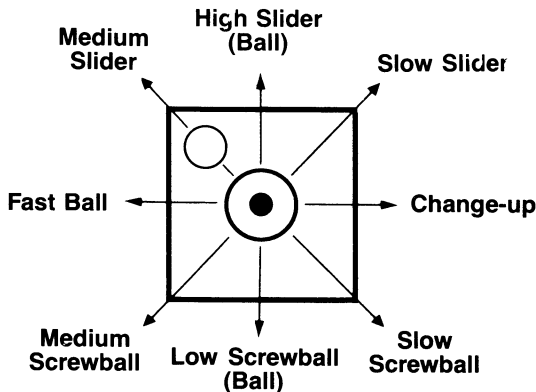
# PLAY BALL!

---

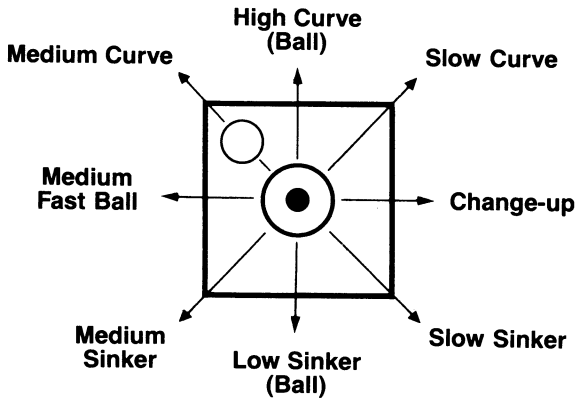
As in real baseball, your goal in Star League™ Baseball is to outscore your opponent in 9 innings (extra innings if necessary). If you beat the computer team, consider yourself a Star Leaguer!

## PITCHING & HOLDING RUNNERS

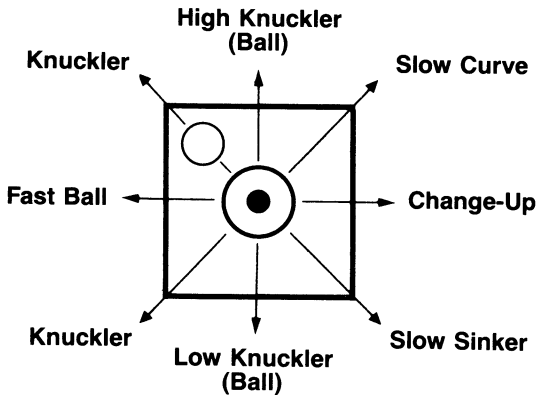
1. Each half inning begins with the pitcher starting in the PITCHING MODE. This mode allows you to pitch to the batter and is indicated when the pitcher bends over to look for a “sign” from the catcher.
2. To designate a pitch press and HOLD the red button on the controller. The pitcher will move to an upright, pause position.
3. Move the joystick to pitch:



“HEAT” MULDOON

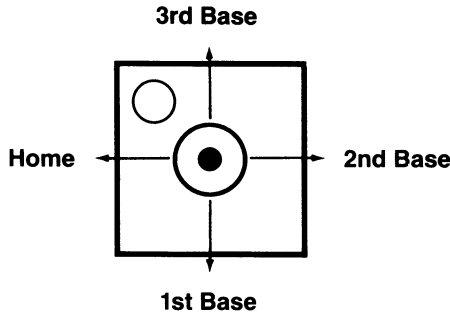


**“CURVES” CASSIDY**



**“KNUCKLES” FLANAGAN**

4. To get out of the PITCHING MODE to pick off a runner, just **RELEASE** the red button **BEFORE** moving the joystick. You can then throw to any base as follows:

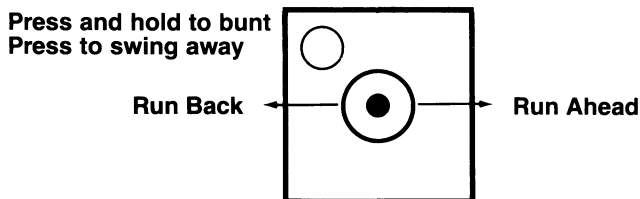


5. Press the red button **TWICE** to return the ball to the pitcher from any player. The pitcher will change color to black, indicating ball possession. Press the red button **TWICE** again to go back into the PITCHING MODE. The pitcher will change color from black to yellow or blue and bend over to look for a “sign” from the catcher. **YOU MUST BE IN THE PITCHING MODE FOR A NEW BATTER TO COME UP AFTER A HIT OR AN OUT.**

## **BATTING**

1. Press and **HOLD** the red button on the controller right **BEFORE** the pitch is thrown to **BUNT**. Release the red button **BEFORE** the ball reaches the plate to “take” the pitch—if you try to bunt and miss, it’s a strike.

2. Press the red button AFTER the pitch is thrown to SWING AWAY.

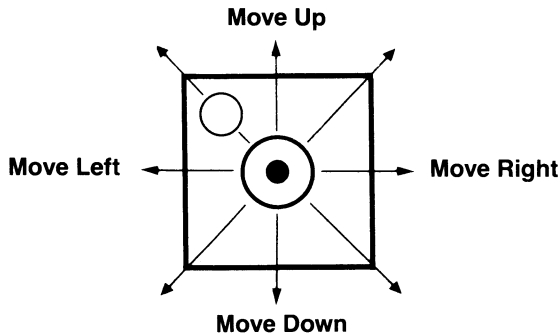


## **RUNNING**

1. Once the ball is hit fair, the batter automatically runs to 1st base.
2. To move him AHEAD, push and hold the joystick to the RIGHT; to move him BACK, push and hold the joystick to the LEFT. To STOP the runner on or between bases, return the joystick to its neutral CENTER position (just release it).
3. If there are runners on base, you control the LEAD runner; the other runners will run automatically if forced. As soon as your LEAD runner scores or is put out, control QUICKLY shifts to the next LEAD runner. Don't daydream or your new LEAD runner may wander off base and be tagged out.

# FIELDING

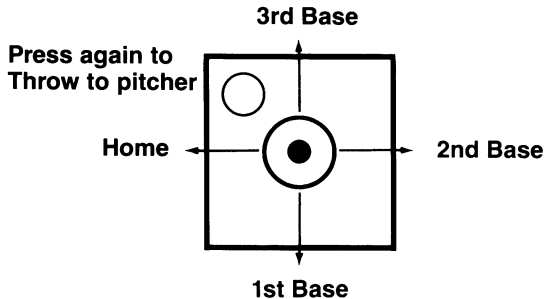
1. After the ball is hit FOUL or a HOMERUN is hit, the ball is returned to the catcher. You must throw it back to the pitcher (press red button TWICE) and go into the PITCHING MODE (press red button TWICE again) to continue pitching.
2. When the ball is hit FAIR, the player nearest the ball's PATH becomes eligible to field it.
3. Use the joystick to move your eligible fielder to the ball. He will change color to solid black when he is in possession.



4. A ball with a shadow is a FLY ball; a ball without a shadow is a GROUNDER. FLY balls can be CAUGHT for an out; GROUNDERS require you to take some action to force an out (throw to base, tag runner, etc.).
5. To catch a FLY ball, keep your eye on the ball's SHADOW. As the ball descends, position your outfielder so he'll collide with the ball's SHADOW. If you miss the ball, move your fielder to pick it up.

# THROWING

1. Press and **RELEASE** the red button on the joystick controller to **DESIGNATE** a throw.
2. Move the joystick to **THROW** to a base; press the red button again to **THROW** to the pitcher.



The positions on the joystick are set up just like the bases on the screen—throwing from base to base will soon be like second nature to you.

3. If a runner tries to steal **HOME**, you must **MOVE** your catcher to **TAG** the runner coming home. If you don't **MOVE** your catcher, the runner will run by you and score.

# SCORING

1. **STRIKE**—pitch that crosses home plate between batter's shoulders and knees. Three strikes results in an out.
2. **BALL**—pitch that is high or low out of strike zone. Four balls results in a walk.
3. **OUT**—catching fly balls, striking out batters and forcing/tagging runners results in an out. There are three outs per half-inning.
4. **BATTING ORDER**—visitors (VSTR) bat top of inning; home (HOME) or computer (COMP) bats bottom of inning.
5. **RUNS**—score runs by moving runners around the bases and home. Team ahead after 9 innings wins game. If score is tied after 9 innings, extra innings will be played until one team wins. HOME or COMP doesn't bat at the bottom of the 9th or extra innings if it is ahead.

---

# SPECIAL FEATURES

---

1. Play solo against a hard-hitting computer team or a human opponent. The computer team is very consistent and rarely makes mental errors—you'll have to be at the top of your game to beat it.
2. Take batting practice against the legendary "Heat" Muldoon to fine-tune your swing.
3. Choose your starting team and pitcher. Mix up these combinations to take advantage of your strengths or your opponent's weaknesses. The differences between the teams and pitchers will have an effect on your STRATEGY.
4. As the game progresses, the starting pitchers "tire." They'll begin to lose their "stuff" and/or start missing the strike zone. Between the 7th and 8th innings there will be a 7th inning stretch, complete with music. A menu will come up for you to change pitchers:

**OPTION**  
**SELECT**  
**START**

**HOME**  
**VSTR**  
**PLAY BALL**

**NO RELIEVER**  
**KNUCKLES**

When both teams have made a decision to change pitchers or not (by pressing the **OPTION** and **SELECT** keys), press the **START** key to continue the game.



---

# JOIN THE “STAR LEAGUERS”

---

If you beat the computer team, you're eligible to join Gamestar's exclusive “Star Leaguers” club.

Here's how:

1. Take a photo of the scoreboard showing the final score.
2. Send that to us along with proof of purchase.

You'll receive an official “Star Leaguers” membership card signifying your success.

---

# TIPS FOR STARS

---

“Get a feel for pitching, hitting, running and throwing before playing a real game. Star League™ Baseball is easy to pick up but tough to master, especially against the computer team.

“When batting, learn to hit behind the runner. Swing early to hit to left field; swing late to hit to right field. Also notice that when you bunt a high strike it travels up the 3rd base line; bunt a low strike and it travels up the 1st base line.

“When fielding, go for the sure out rather than double plays all the time. On balls hit to the outfield, throw well ahead of the lead runner. On pick off plays to 2nd or 3rd base, you must tag the runner for the out.

“When pitching with ‘Heat’ Muldoon, don’t overuse his fast ball. If you do, Heat will burn out well before the 7th inning stretch and you’ll really have to scramble. With any of the pitchers, your best strategy is to try to set up the batter (including the computer) by mixing up your pitches, then throw a pitch your opponent has trouble with—Heat’s fastball, Curves’ sinker, etc.

“Have fun with Star League™ Baseball—we’ve designed it to be fun for beginners and advanced players alike. If you have tips or strategies for other players just drop us a note—we’d love to know how your major league dream is coming along.”



# LIMITED 90-DAY WARRANTY

GAMESTAR, INC. will replace this product free within 90 days of purchase if defective in material or manufacture, provided it is delivered or sent POSTPAID with proof of purchase to GAMESTAR, INC. This warranty shall be void if the cassette or diskette (1) has been misused, (2) has been damaged by playback equipment, or (3) if the purchaser causes or permits the cassette or disk to be serviced or modified by anyone other than GAMESTAR, INC. No other warranty is expressed or implied.

All GAMESTAR Programs are sold on an 'AS IS' basis without warranty of any kind. GAMESTAR, INC., its authorized dealers and distributors shall have no liability or responsibility to any person or entity with respect to any liability, loss or damage caused or alleged to be caused, directly or indirectly, by GAMESTAR, INC.

This warranty gives you specific legal rights, and you may also have other rights which vary from state to state.

## COPYRIGHT NOTICE

This product is copyrighted and all rights are reserved. Copying, duplicating, selling or otherwise distributing this product without the expressed written consent of GAMESTAR, INC. is forbidden and a violation of the law. GAMESTAR, INC. will exercise full legal recourse against violators.



GAMESTAR, Inc. 1302 State Street Santa Barbara, CA 93101 (805) 963-3487