

APX publishes programs in
these categories:

Systems/Telecommunications

Home Management

Personal Development

Entertainment

Learning

SPEED-O-DISK

SYSTEMS/TELECOMMUNICATIONS

Test the speed of ATARI 810 Disk Drives

by Jubal Ragsdale and Dave Henry

Diskette version (1):
(APX-20109)

ATARI 810 Disk Drive
16K RAM

Edition C

CONSUMER-WRITTEN PROGRAMS FOR

ATARI[®]

H O M E C O M P U T E R S

APX

ATARI Program Exchange

SPEED-O-DISK

SYSTEMS/TELECOMMUNICATIONS

Test the speed of ATARI 810 Disk Drives

by Jubal Ragsdale and Dave Henry

Diskette version (1):
(APX-20109)

ATARI 810 Disk Drive
16K RAM

Edition C



SPEED-O-DISK

by

Jubal Ragsdale and Dave Henry

Program and Manual Contents© 1982 Jubal Ragsdale and Dave Henry

Copyright notice. On receipt of this computer program and associated documentation (the software), the author grants you a nonexclusive license to execute the enclosed software. This software is copyrighted. You are prohibited from reproducing, translating, or distributing this software in any unauthorized manner.

Distributed By

The ATARI Program Exchange
P.O. Box 3705
Santa Clara, CA 95055

To request an APX Product Catalog, write to the address above, or call toll-free:

800/538-1862 (outside California)

800/672-1850 (within California)

Or call our Sales number, 408/727-5603

Trademarks of Atari

ATARI is a registered trademark of Atari, Inc. The following are trademarks of Atari, Inc: 400, 410, 800, 810, 820, 822, 825, 830, 850, 1200XL.

Limited Warranty on Media and Hardware Accessories. Atari, Inc. ("Atari") warrants to the original consumer purchaser that the media on which APX Computer Programs are recorded and any hardware accessories sold by APX shall be free from defects in material or workmanship for a period of thirty (30) days from the date of purchase. If you discover such a defect within the 30-day period, call APX for a return authorization number, and then return the product to APX along with proof of purchase date. We will repair or replace the product at our option. If you ship an APX product for in-warranty service, we suggest you package it securely with the problem indicated in writing and insure it for value, as Atari assumes no liability for loss or damage incurred during shipment.

This warranty shall not apply if the APX product has been damaged by accident, unreasonable use, use with any non-ATARI products, unauthorized service, or by other causes unrelated to defective materials or workmanship.

Any applicable implied warranties, including warranties of merchantability and fitness for a particular purpose, are also limited to thirty (30) days from the date of purchase. Consequential or incidental damages resulting from a breach of any applicable express or implied warranties are hereby excluded.

The provisions of the foregoing warranty are valid in the U.S. only. This warranty gives you specific legal rights and you may also have other rights which vary from state to state. Some states do not allow limitations on how long an implied warranty lasts, and/or do not allow the exclusion of incidental or consequential damages, so the above limitations and exclusions may not apply to you.

Disclaimer of Warranty on APX Computer Programs. Most APX Computer Programs have been written by people not employed by Atari. The programs we select for APX offer something of value that we want to make available to ATARI Home Computer owners. In order to economically offer these programs to the widest number of people, APX Computer Programs are not rigorously tested by Atari and are sold on an "as is" basis without warranty of any kind. Any statements concerning the capabilities or utility of APX Computer Programs are not to be construed as express or implied warranties.

Atari shall have no liability or responsibility to the original consumer purchaser or any other person or entity with respect to any claim, loss, liability, or damage caused or alleged to be caused directly or indirectly by APX Computer Programs. This disclaimer includes, but is not limited to, any interruption of services, loss of business or anticipatory profits, and/or incidental or consequential damages resulting from the purchase, use, or operation of APX Computer Programs.

• Some states do not allow the limitation or exclusion of implied warranties or of incidental or consequential damages, so the above limitations or exclusions concerning APX Computer Programs may not apply to you.

Introduction

OVERVIEW

With SPEED-O-DISK you can easily check the speed of your ATARI 810 Disk Drive. If you get frequent "144" (Device Done Error) or "138" (Device Timeout) error messages, your drive may not be operating at the factory specification speed of 288 RPM. If your drive is off by 4 RPM or more, it's a good idea to adjust it to the proper speed. This manual contains drive adjustment instructions, but it is recommended that you take your disk drive to an Authorized ATARI Service Center.

REQUIRED ACCESSORIES

ATARI BASIC Language Cartridge
16K RAM
ATARI 810 Disk Drive

CONTACTING THE AUTHORS

Users wishing to contact the authors about SPEED-O-DISK may write them at:

5916 Mego Dr.
Anchorage, Alaska 99507

or call them at:

907/344-2944

Getting started

LOADING SPEED-O-DISK INTO COMPUTER MEMORY

1. Insert the ATARI BASIC Language Cartridge in the cartridge slot of your computer.
2. Have your computer turned OFF. Turn on your disk drive.
3. When the BUSY light goes out, open the disk drive door and insert the SPEED-O-DISK diskette with the label in the lower right-hand corner nearest to you. (Use disk drive one if you have more than one drive.)
4. Turn on your computer and your TV set.
5. The program will load into computer memory and start automatically.

THE FIRST DISPLAY SCREEN

After the READY prompt displays for a few moments, The title appears at the top of the first display screen, as follows:

```
*****SPEED-O-DISK*****
```

It's followed by a brief description of the program, with instructions for adjusting your disk drive numbered step by step.

Using SPEED-O-DISK

When you finish reading the first screen, press the RETURN key to continue.

Press the RETURN key a second time. The following prompt appears:

```
***SPEED-O-DISK***
```

```
DRIVE# TO BE CHECKED  
?
```

Type the number of the drive you're checking. These instructions display:

```
INSERT ANY DISK IN  
DRIVE (number)  
HIT ANY KEY TO RUN
```

After you insert a diskette and press any key, the speed check begins. The information appears in the following display:

```
DISK SPEED SHOULD BE '288' (+ - 4)
```

```
HIT RESET TO END
```

In a moment, a number appears in the middle of this screen. That's the measured speed of your drive. If you leave it running for a while, it updates the speed every few seconds. When you're finished, press the SYSTEM RESET key. The READY prompt redisplay.

If the speed varies more than 4 RPM from the recommended 288 RPM, you may want to have the drive adjusted or adjust it yourself.

Adjusting the disk drive speed

CAUTION

Instructions for adjusting the speed of your ATARI 810 Disk Drive follow. Please note that you will VOID YOUR WARRANTY by attempting to adjust the drive yourself. To keep your warranty in effect, we recommend that you have the speed adjusted by an Authorized ATARI Service Center. Neither ATARI or APX assumes responsibility for the accuracy of these instructions, or for the consequences to your equipment of using these instructions.

1. Insert the SPEED-O-DISK diskette, and have the speed check operating.
2. Remove the four round tabs on the top of the disk drive, and remove the four screws under the tabs. (See Fig. A)
3. Remove the cover.
4. Locate the plastic screw (variable resistor) in the left rear corner of the drive (See Fig. B).
5. SLOWLY turn the screw CLOCKWISE to slow the speed, COUNTERCLOCKWISE to increase the speed. Wait a few seconds between turns to allow the program to measure the new speed.
6. After the speed is correct, replace the cover, screws, and round tabs on your drive.
7. Recheck speed every 4 to 6 weeks, or when you get an excessive number of "144" or "138" errors.

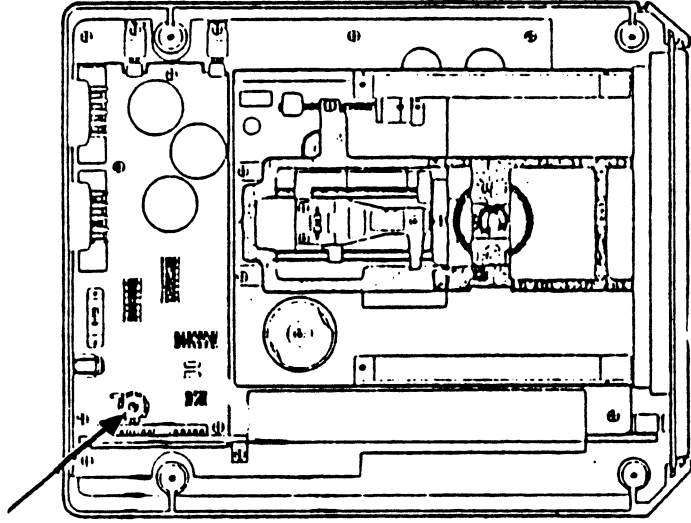


FIG. B

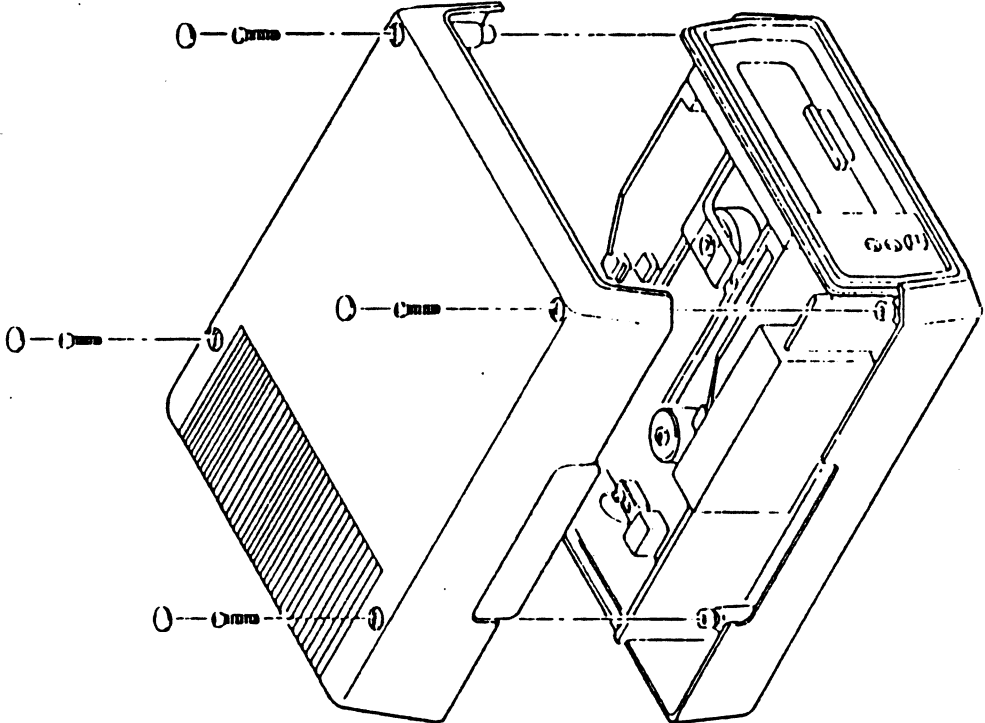


FIG. A





ATARI Program Exchange
P.O. Box 3705
Santa Clara, CA 95055

Review Form

We're interested in your experiences with APX programs and documentation, both favorable and unfavorable. Many of our authors are eager to improve their programs if they know what you want. And, of course, we want to know about any bugs that slipped by us, so that the author can fix them. We also want to

know whether our instructions are meeting your needs. You are our best source for suggesting improvements! Please help us by taking a moment to fill in this review sheet. Fold the sheet in thirds and seal it so that the address on the bottom of the back becomes the envelope front. Thank you for helping us!

1. Name and APX number of program.

Speed-o-disk (109)

2. If you have problems using the program, please describe them here.

3. What do you especially like about this program?

4. What do you think the program's weaknesses are?

5. How can the catalog description be more accurate or comprehensive?

6. On a scale of 1 to 10, 1 being "poor" and 10 being "excellent", please rate the following aspects of this program:

- _____ Easy to use
- _____ User-oriented (e.g., menus, prompts, clear language)
- _____ Enjoyable
- _____ Self-instructive
- _____ Use (non-game programs)
- _____ Imaginative graphics and sound

7. Describe any technical errors you found in the user instructions (please give page numbers).

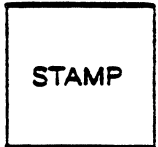
8. What did you especially like about the user instructions?

9. What revisions or additions would improve these instructions?

10. On a scale of 1 to 10, 1 representing "poor" and 10 representing "excellent", how would you rate the user instructions and why?

11. Other comments about the program or user instructions:

From



ATARI Program Exchange
P.O. Box 3705
Santa Clara, CA 95055

[seal here]